

SPORT HOUSTON



LAMP TYPES - The Sport Houston is designed to accommodate Pulse-Start Metal Halide lamp types. Clear lamp is supplied as standard.

BALLAST - High power factor type CWA Class H, 60Hz ballast. Integral ballast compartment is designed for easy access from above luminaire. See Electrical Information page for detailed ballast information. Ballast is thermally protected.

HOUSING - Die-formed 22 gauge steel. Cushion seal on door keeps dust out and eliminates light leaks.

SOCKETS - Mogul-base horizontal porcelain sockets feature spring-reinforced contacts for long life.

LENS - Prismatic C73 pattern heat- and impact-resistant glass.

WIRING - J-box wire compartment provided.

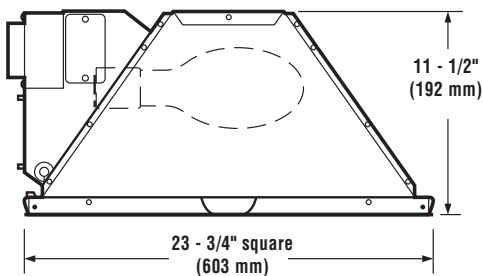
DOOR FRAME - Precision 45° mitered door frame is made of satin anodized extruded aluminum. Door is fastened with four flush mounted screws and is equipped with two safety spring retaining hinges.

MOUNTING - Innovative TR25 extruded aluminum mounting frame supports fixture and door. Resultant flush fit eliminates errant ball bounce off fixture.

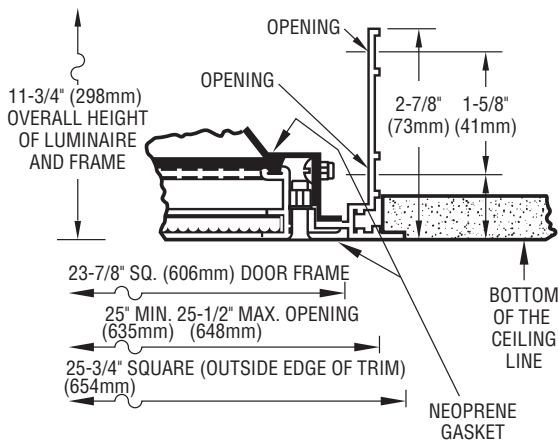
FINISH - High reflectance, white pre-painted housing provides uniform distribution and maximum performance while achieving visual comfort.

DISTRIBUTION - Symmetric or asymmetrical (forward throw) light distribution available. Note: asymmetrical optics precludes use of vertical burn (VL) or top access (TA) options.

PHOTOMETRICS - Please visit our web site at www.lsi-industries.com for detailed photometric data.



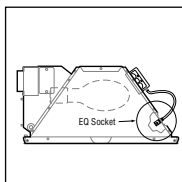
TR25 MOUNTING DETAIL for racquetball court applications



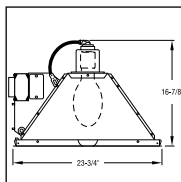
FEATURES/OPTIONS



Top Access Cover
(Note: Not available with asymmetrical distribution)



Emergency Quartz Independent Circuit



Vertical Lamp Option
(Note: Not available with asymmetrical distribution)

FIXTURE DATA

Description	HOUHB - Sport Houston				
	Max. Height HOR	Height with VL option	Square Fixture	Square Frame	Weight
Pulse-Start Metal Halide					
250 - PSMH	11-3/4"	16-7/8"	23-3/4"	25-3/4"	45 (20.4kg)
320 - PSMH	11-3/4"	16-7/8"	23-3/4"	25-3/4"	50 (22.7kg)
400 - PSMH	11-3/4"	16-7/8"	23-3/4"	25-3/4"	50 (22.7kg)

SPORT HOUSTON

LUMINAIRE ORDERING INFORMATION



TYPICAL ORDER EXAMPLE: **HOUHB 400 PSMH 120 C73HRHB S TR25 SQT**

Luminaire Prefix	Rated Wattage ¹	Light Source	Line Voltage	Lens	Refractor Distribution	Mounting	Factory Installed Options
HOUHB - 2x2 Sport	250 320 400	PSMH - Pulse-Start Metal Halide 250, 320, 400 Watt	120 208 240 277 347 MT or 480 not available	C73HRHB - ASG #73 Heat and Impact-Resistant Glass	S - Symmetrical A - Asymmetrical	TR25 - Mounting Frame	ECP - Encapsulated Ballast EQ - Emergency Quartz, Independent Circuit SQT - Standby Quartz (Time Delay) SQN - Standby Quartz (Non-Time Delay) TA - Top Access to Fixture (Symmetrical Distribution only) VL - Vertical Burn Lamp Option (Symmetrical Distribution only) LL - Less Lamp
			Consult Factory for International Voltages and Light Sources				

FOOTNOTES:

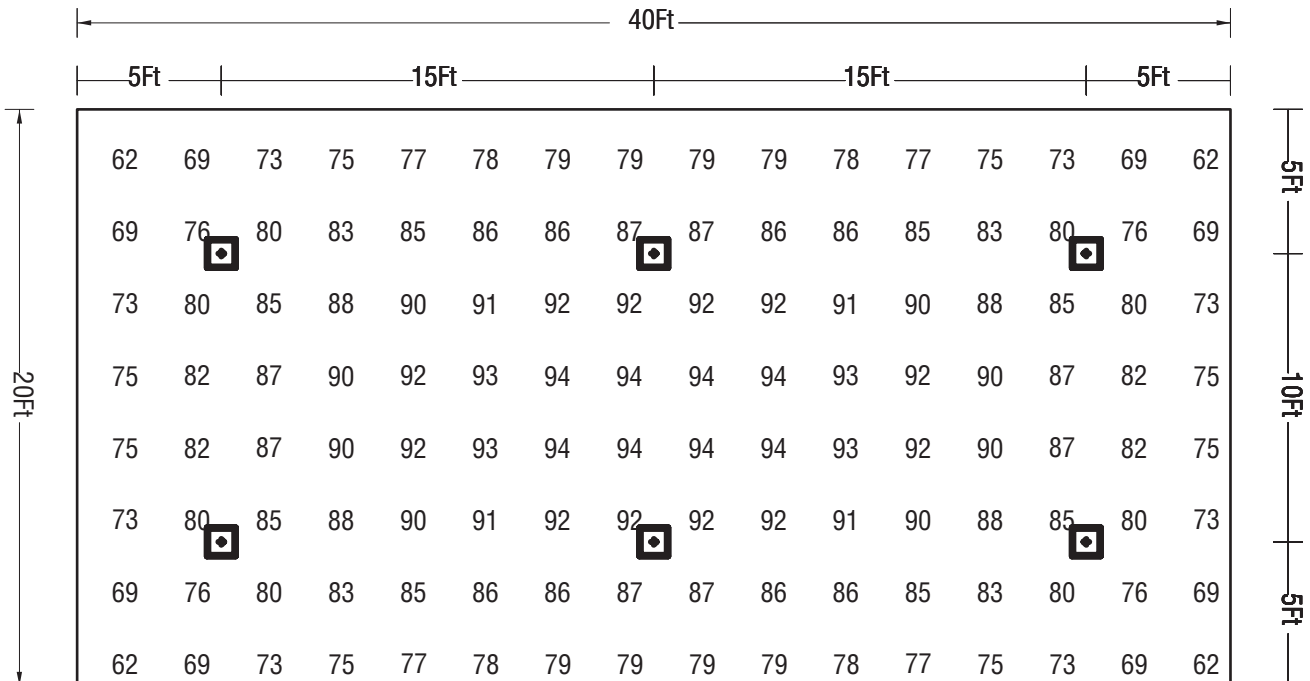
1- Other wattages may be available. Consult factory.

REPLACEMENT ORDERING INFORMATION (Accessories are field installed)

Description	Order Number	Description	Order Number
C73HRHB - Replacement Racquetball Door and Lens	122706	TR25 - Trim Frame Converts Drywall Ceiling to Grid Application	100472

TYPICAL SIX FIXTURE APPLICATION

(6) HOUHB-320-PSMH-C73HRHB-S-TR25 @ 20' mounting height
Lamps are 320W pulse start metal halide (30,000 lumens)



Average Light Levels – 83 foot-candles

Light level calculations shown are maintained at court level

.72 light loss factor

80-80-10 reflectances

Lighting layout is also available for four fixture application with combination of symmetrical and asymmetrical distributions.