



AACER

SPORTS FLOORING



Anchored PowerSleeper™ DIN

Anchored PowerSleeper™ DIN is an anchored system that fully engages the resilient pad ensuring uniform performance and increased structural stability. This system combines pre-engineered sleepers with a plywood underlayment for greater dimensional strength and stability. It is suitable for new and retrofit sports floor applications and commercial projects.



Sweets.com

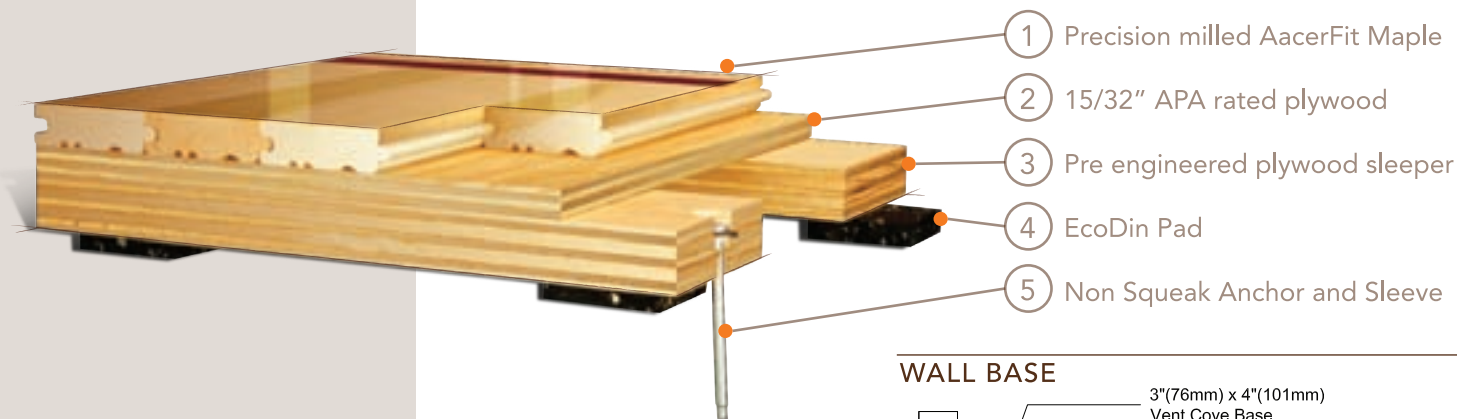


FIXED RESILIENT



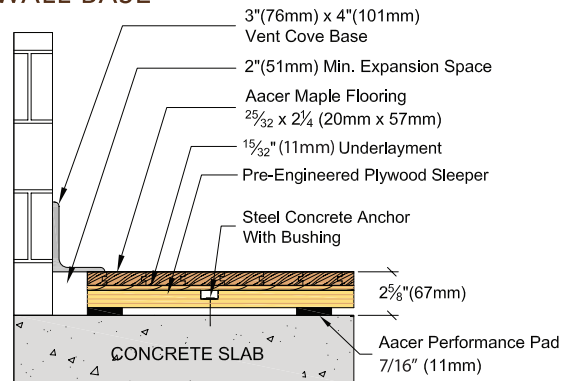
Anchored PowerSleeper™ DIN

Anchored PowerSleeper™ DIN is the perfect, traditional basketball floor where maximum performance and structural integrity are essential.

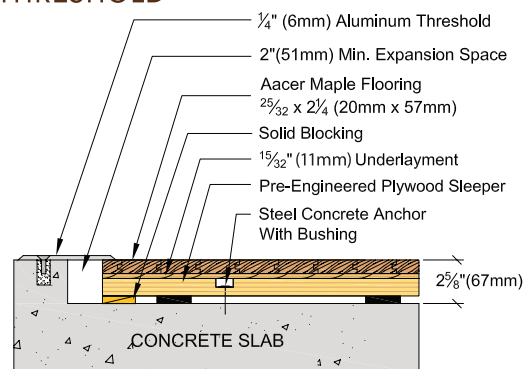


Anchorage	Drill and Pin
Certified	
Green Status LEED Contributors	<p>FSC Maple - MRc7 FSC SubFloor Components - MRc7 EQ - 4.2 Regional materials - MRc5.1 & 5.2</p>
Resilience	EcoDin
Slab Depression	<p>1/2" (11 mm) EcoDin Pads</p> <p>25/32" (20mm) flooring - 2 5/8" (67mm)</p> <p>33/32" (26mm) flooring - 2 7/8" (73mm)</p>
Subfloor Construction	Sleeper Plywood
System Type	Fixed Resilient
Testing Laboratory	
U.S. Patent#	Pending
Warranty	Lifetime available

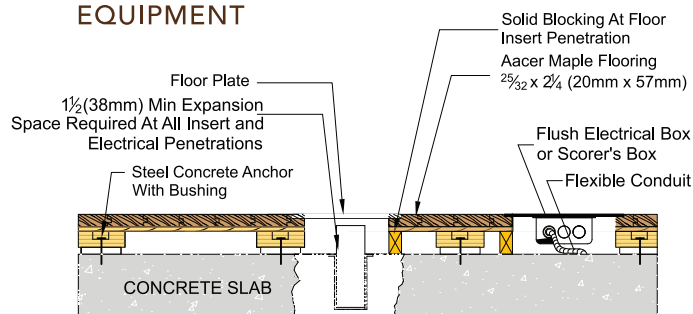
WALL BASE



THRESHOLD



EQUIPMENT



AcerFlooring.com (877) 582-1181

It is the policy of Acer Flooring to continuously improve its line of products. Therefore, Acer Flooring reserves the right to change, modify or discontinue systems, specifications and accessories of all products at any time without notice or obligation to purchaser.