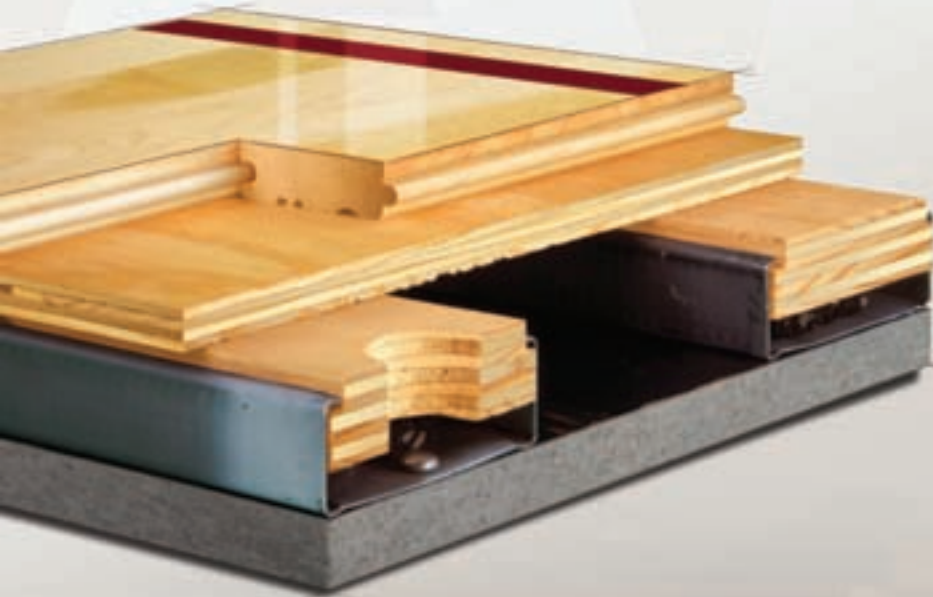




AACER

SPORTS FLOORING



Anchored PowerSleeper™ SE

Aacer's Anchored PowerSleeper™ SE is a system that fully engages the resilient pad inside a steel channel, ensuring uniform performance and increased structural stability. It is suitable for new and retrofit sports floor applications and commercial projects.

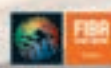


Sweets

INRSA



YNRSA

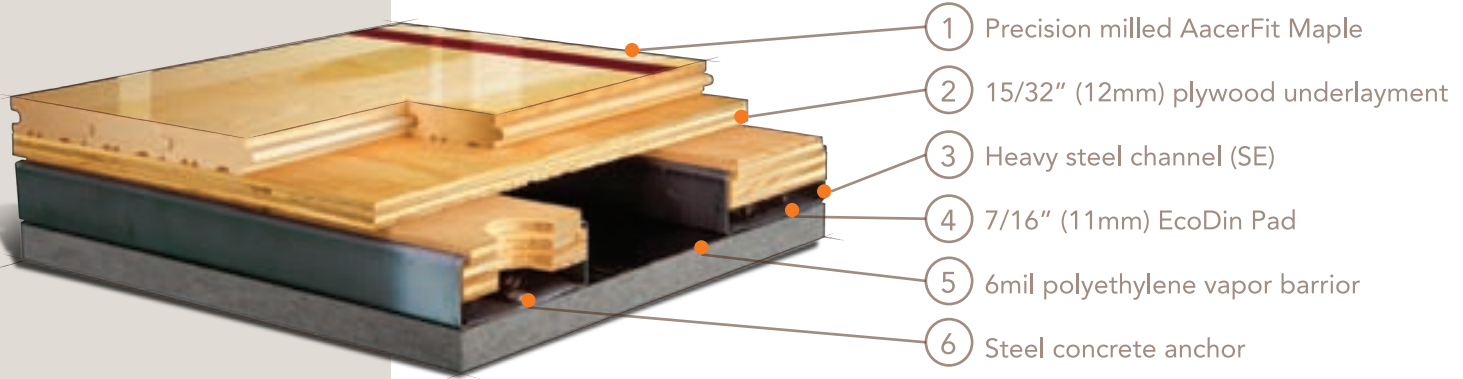


FIXED RESILIENT

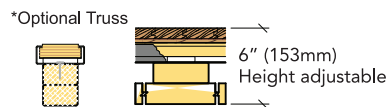


Anchored PowerSleeper™ SE

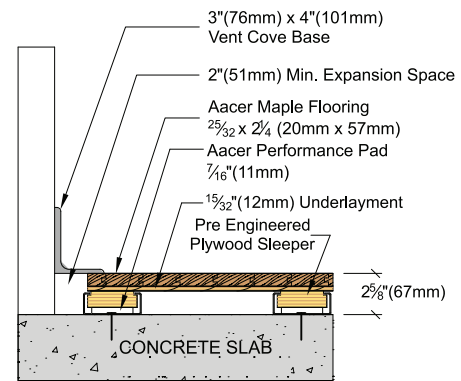
Anchored PowerSleeper™ SE is the perfect uniform, stable floor system for new and retro fit projects. This floor system is fully shimable for uneven substrats.



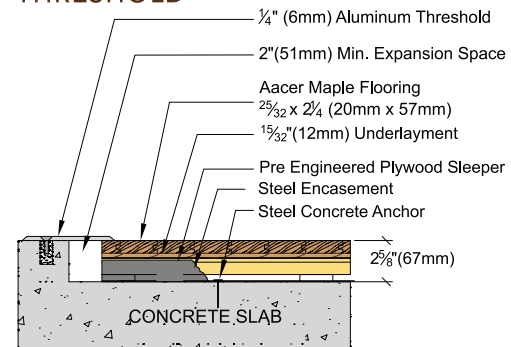
Anchorage	Drill and Pin
Certified	
Green Status LEED Contributors	 FSC Maple - MRC7 FSC SubFloor Components - MRC7 EQ - 4.2 Regional materials MRC5.1&5.2
Resilience	EcoDin, TriPower
Slab Depression	7/16" (11 mm) EcoDin Pads 25/32" (20 mm) flooring - 2 5/8" (67 mm) 33/32" (26 mm) flooring - 2 7/8" (73 mm)
Subfloor Construction	Sleeper Plywood
System Type	Fixed Resilient / Floating
Testing Laboratory	
Warranty	Lifetime available
*Option	Retrofit with optional Truss easily adjusted to required slab depressions



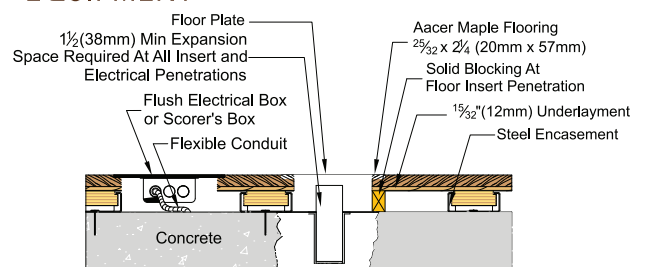
WALL BASE



THRESHOLD



EQUIPMENT



AacerFlooring.com (877) 582-1181

It is the policy of Aacer Flooring to continuously improve its line of products. Therefore, Aacer Flooring reserves the right to change, modify or discontinue systems, specifications and accessories of all products at any time without notice or obligation to purchaser.